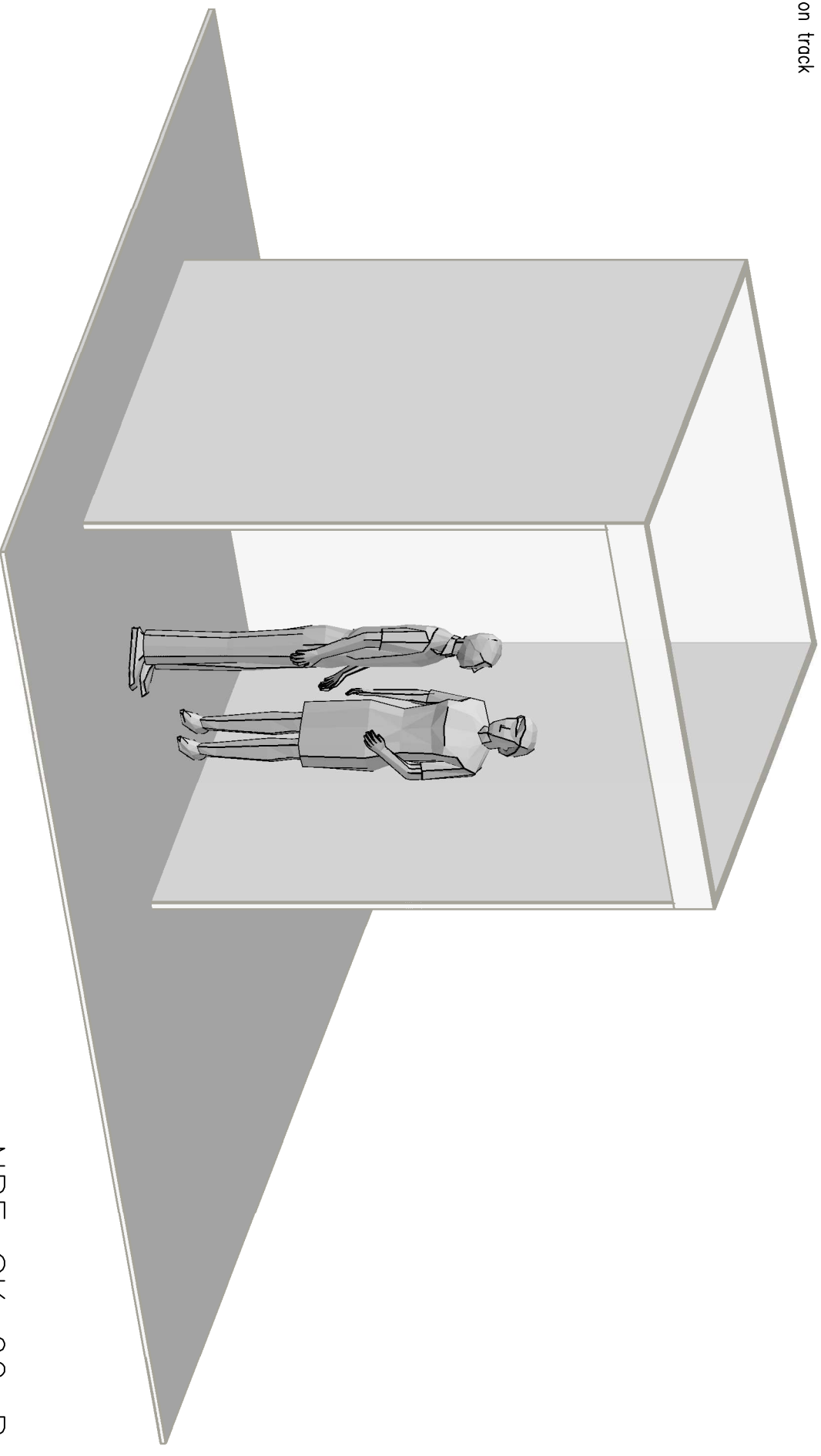


2 X 2 Standard

- 1) Shell scheme with white infill panels
- 2) Exhibitor name card
- 3) Double 13amp double socket.
- 4) 2 spotlights on track



NBE_SK_02_B